

# PLACEPOD SURFACE MOUNT INSTALLATION GUIDE

Instructions for installing a Surface Mount PlacePod

# TABLE OF CONTENTS

- 1 EQUIPMENT NEEDED ..... 2
- 2 INSTALLATION PROCEDURE ..... 3
  - 2.1 PREPARING PARKING SPOT ..... 3
  - 2.2 PREPARING PLACEPOD FOR ADHESIVE..... 4
  - 2.3 INSTALL THE PLACEPOD WITH ADHESIVE..... 4
  - 2.4 INSTALL THE PLACEPOD WITH SCREWS ..... 5

## 1 EQUIPMENT NEEDED

- PlacePod Smart Parking Sensor(s)
- Coarse Sand-Paper
- Deck Broom
- Protective Gloves
- Asphalt/Concrete Cleaner
- Bucket
- Heavy Duty Stiff Bristle Scrub Brush
- Chalk Snap-Line
- Paint or marking chalk
- Adhesive and Applicator
  - At the time of writing PNI recommends: Superior Industries #303 Bumper Mount, which can be ordered directly from the manufacturer:
  - [https://www.superior-industries.com/303\\_bumper\\_mount\\_product\\_278.html](https://www.superior-industries.com/303_bumper_mount_product_278.html)
  - Approximately 6 sensors per 2-part kit using minimum application.
- Concrete Sealer Stripper
- ¼” Self-Tapping Masonry Screws
  - At the time of writing PNI recommends: Wedge-Bolt ¼” X 1 ¾” manufactured by Powers Fastening Innovations. Two versions are available:
  - Part No 7701N – 410 Stainless steel @ \$1.44 each (low magnetic)
  - Part No - – Zinc plated carbon steel @ \$0.24 each
- Hammer Drill with Mason Bit

---

*Follow ALL manufacturer's instructions and safety recommendations pertaining to application, removal, and disposal of stripping, cleaning, and adhesive agents.*

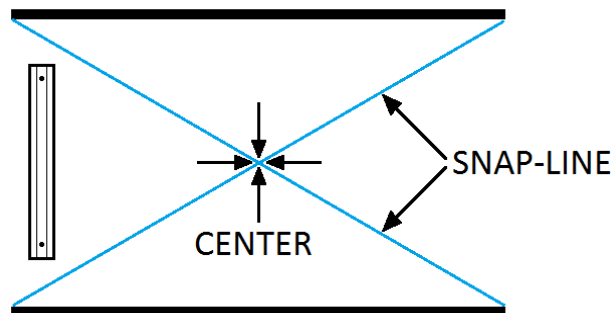
---

## 2 INSTALLATION PROCEDURE

This sections will outline the steps needed to be performed when physically installing a surface mount PlacePod.

### 2.1 PREPARING PARKING SPOT

1. Clear any debris in the park space with the deck broom.
2. Clean center of parking space(s) using locally available asphalt/concrete cleaner and stiff bristle scrub brush.
3. If necessary, remove sealer from the pavement surface in the area where the sensor is to be placed and repeat the above.
  - a. This is necessary for longer lasting bond.
  - b. Sealant layer can de-laminate from pavement while remaining attached to the sensor housing.
4. Mark the center of each space using the chalk snap-lin.



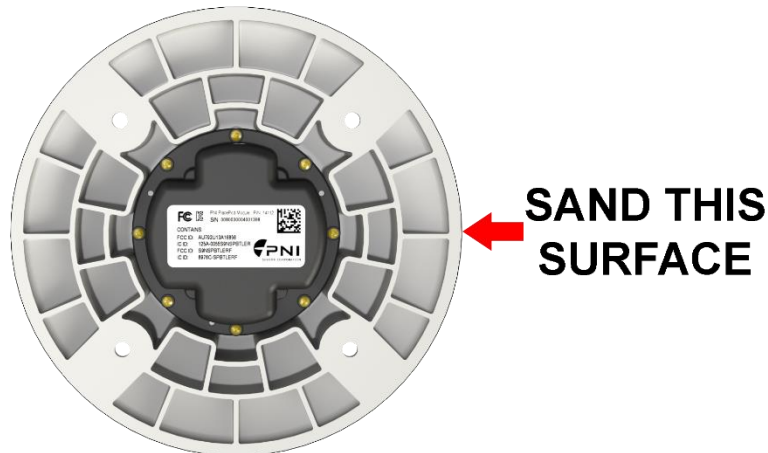
If you intended to screw the PlacePod down to the pavement follow the below steps.

*Note: To optimize signal strength orient the sensor in the middle of the space such that the arrow points towards the nearest gateway.*

5. Place the PlacePod Surface Mount hole pattern, provided at the end of this document, at the center of the spot and mark each screw hole location. Alternatively you can use the PlacePod housing itself to mark the holes through the housing. ONLY mark the holes through the housing, do NOT drill the holes through the housing.
6. Use the Hammer Drill to drill the screw holes. Do NOT drill the holes through the PlacePod sensor as the vibration and shock from the drill can damage the components inside the sensor.

## 2.2 PREPARING PLACEPOD FOR ADHESIVE

1. Using coarse sand-paper, lightly sand the bottom gray portion of the housing, scuffing the surface.

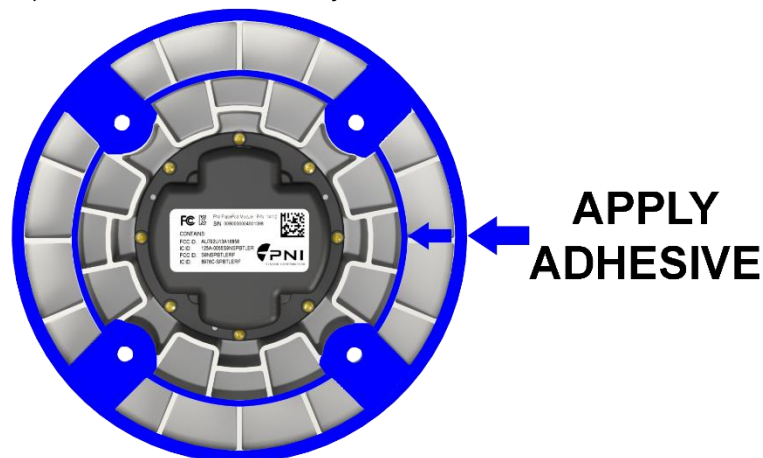


Sand gray part of housing to scuff surface

Wipe off any residual particulates from the sanding.

## 2.3 INSTALL THE PLACEPOD WITH ADHESIVE

1. At minimum, apply a 1/8" to 1/4" bead of adhesive around the outer and inner rings of the PlacePod.
  - a. If desired, adhesive can be applied to the ribs and to the sensor lower housing (black) areas NOT covered by the label.



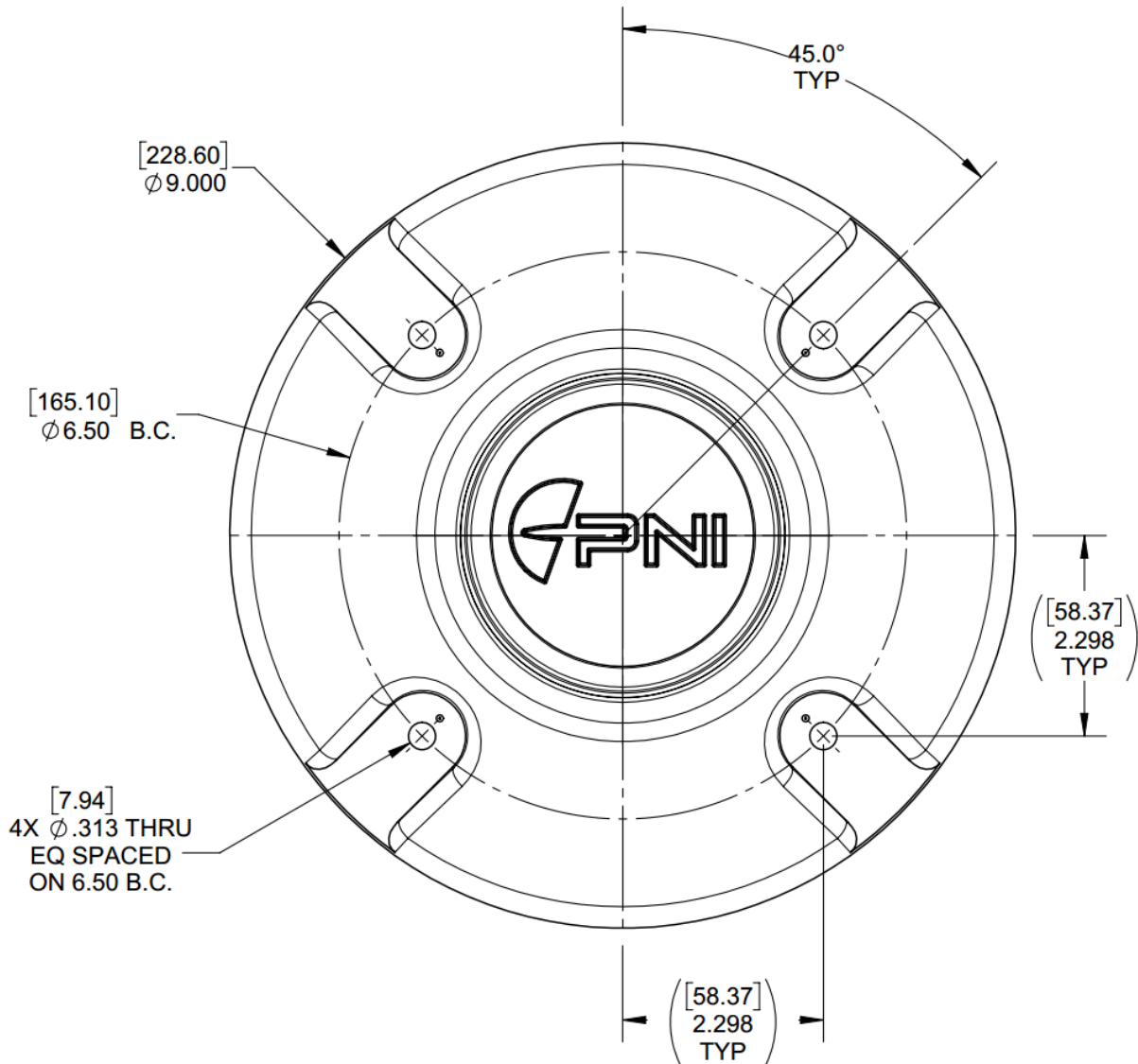
Apply adhesive to outer ring and any additional ribs of the gray housing

2. To optimize signal strength orient the sensor in the middle of the space such that the arrow points towards the nearest gateway.
3. Place the sensor on the ground and press down on it firmly.
4. If desired, apply an additional bead of adhesive around the seam of the sensor and the pavement.

*Note: If you intend to also screen the PlacePod down ensure that you align the PlacePod with the pre-drilled screw holes.*

## 2.4 INSTALL THE PLACEPOD WITH SCREWS

1. Align the PlacePod in the center of the parking space with the pre-drilled screw holes.
2. Screw the PlacePod down with the Masonry Screws, hand tighten. Do not over tighten the screws as this can damage the PlacePod housing.



Drilling dimensions - Drill bit size determined by screw manufacturer